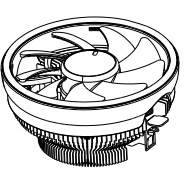
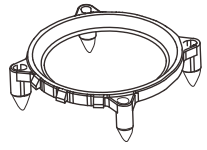
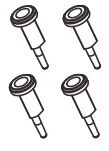





正面

正反印刷
居中对折

COMPONENTS

x1  Heatsink	x1  LGA775/115X Bracket
x4  Black Pin (B.P.)	x1  Thermal Grease

For Intel LGA775/115X

- LGA775: push inside
- LGA115X: push outside

Notice: default as 115X

Apply a thin layer of thermal grease onto the surface of CPU.

- Hook one side.
- Press on level and hook up other side.
- Turn the cooler to make sure it install firm.

For AMD up to AM4

Apply a thin layer of thermal grease onto the surface of CPU.

- Hook one side.
- Press on level and hook up other side.
- Turn the cooler to make sure it install firm.

反面